



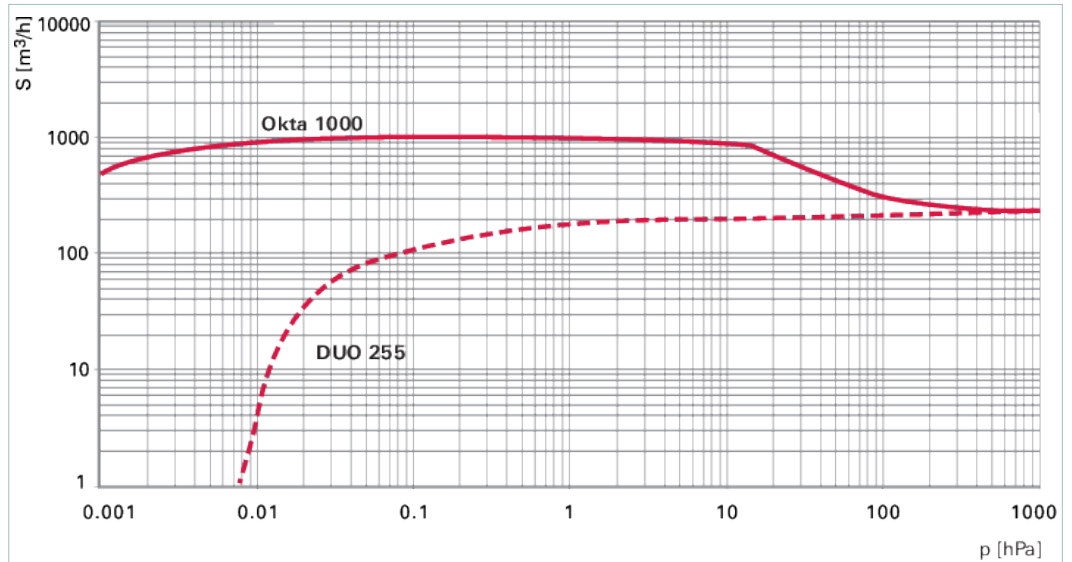
**Okta 1000 M, Roots pump, 230/400
V, 50 Hz | 265/460, 60 Hz**



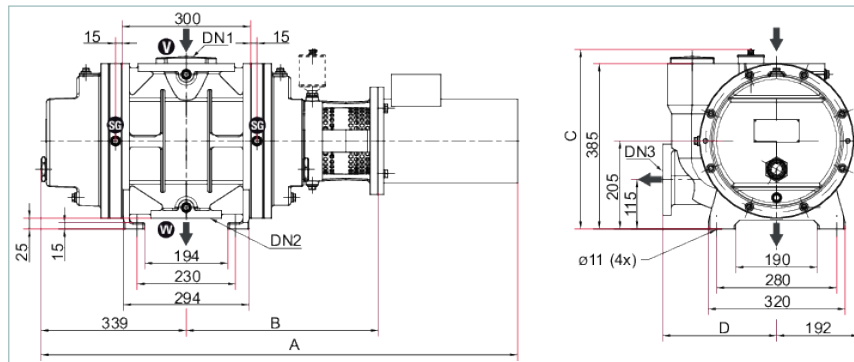
Similar Image

Okta 1000 M, Roots pump, 230/400 V, 50 Hz | 265/460, 60 Hz

- High-performance Roots pump with a pumping speed of 590 to 1,775 m³/h and magnetic coupling
- For mains voltage: 230/400 V, 50 Hz respectively 265/460 V, 60 Hz
- No thermal overload thanks to integral overflow valve
- For applications in the low and medium vacuum



Dimensions



A	1125 mm
B	461 mm
C	402 mm
D	266 mm

Technical Data	Okta 1000 M, Roots pump, 230/400 V, 50 Hz 265/460, 60 Hz
Ambient temperature	5-40 °C 41-104 °F 278-313 K
Cooling method, standard	Air
Differential pressure at the overflow valve	45 hPa 33.75 Torr 45 mbar
Differential pressure max.	45 hPa
Dimensions (L x W x H)	1,125 x 458 x 402 mm 44.29 x 18.03 x 15.83 inch
Emission sound pressure level (EN ISO 2151) at intake pressure 10 hPa	75 dB(A)
Emission sound pressure level (EN ISO 2151) at intake pressure 1 hPa	72 dB(A)
Flange (in)	DN 160 ISO-F
Flange (out)	DN 100 ISO-F
Leak rate	1 · 10 ⁻⁶ Pa m ³ /s 7.5 · 10 ⁻⁶ Torr l/s 1 · 10 ⁻⁵ mbar l/s

Technical Data		Okta 1000 M, Roots pump, 230/400 V, 50 Hz 265/460, 60 Hz
Mains requirement: voltage 50 Hz	230/400 V	
Mains requirement: voltage 60 Hz	265/460 V	
Motor protection	3TF	
Nominal pumping speed	590-1,775 m ³ /h 347.27-1,044.77 cfm 9,833.33-29,583.33 l/min	
Nominal pumping speed at 50 Hz	1,180 m ³ /h 694.55 cfm 19,666.67 l/min	
Nominal pumping speed at 60 Hz	1,420 m ³ /h 835.81 cfm 23,666.67 l/min	
Nominal pumping speed max.	1,775 m ³ /h 1,044.77 cfm 29,583.33 l/min	
Nominal pumping speed min.	590 m ³ /h 347.27 cfm 9,833.33 l/min	
Nominal rotation speed at 50 Hz	3,000 rpm 3,000 min ⁻¹	
Nominal rotation speed at 60 Hz	3,600 rpm 3,600 min ⁻¹	
Operating fluid	P3	
Operating fluid filling	2.9 l	
Protection category	IP55	
Rated power 50 Hz	3 kW	
Rated power 60 Hz	3.5 kW	
Rotation speed	1,500-4,500 rpm 1,500-4,500 min ⁻¹	
Version	Standard with motor and magnetic coupling	
Voltage: Range	±5 %	
Weight: with motor	275 kg 606.26 lb	

Order number	
Okta 1000 M	PP W42 000

Accessories	
Connections Gear chamber evacuation	
Gear Box Evacuation (Plastic Tube) for Okta 1000 / M, G 3/8 (3x)	PP 043 887 -T
Gear Box Evacuation (Stainless Steel - Corrugated Hose) for Okta 1000/M Okta 2000/M Okta 4000/M Okta 6000/M, G 3/8 (3x)	PP 043 888 -T
Control Devices Frequency converters	
Frequency converter Okta 1000/M installed in the control cabinet	PP 078 300 -T
Flanges/Ports Blank flanges	
Blank flange set for Okta 1000/M Okta 2000/M, Stainless steel	PP 043 883 -T
Blank Flange Set for Okta 1000/M Okta 2000/M, DN ISO-K (stainless steel)	PP 043 884 -T
Blank flange set for Okta 1000/M/ATEX Okta 2000/M/ATEX, DN PN16, (stainless steel)	PP 043 885 -T
Monitoring Oil/Operating fluid level monitoring	
Oil level monitoring 20–250 V AC for Okta 250/M Okta 300/M Okta 500/M Okta 600/M Okta 800/M Okta 1000/M Okta 2000/M Okta 4000/M Okta 6000/M, G 1 ¼	PK 004 930 -U
Oil level monitoring 24 V DC for Okta 250/M Okta 300/M Okta 500/M Okta 600/M Okta 800/M Okta 1000/M Okta 2000/M Okta 4000/M Okta 6000/M, G 1 ¼	PK 005 639 -U
Monitoring Oil compensating lines with oil level monitoring	
Oil compensating line with oil level monitoring for Okta 1000/M, G 3/8 (4x), G 1 ¼ (1x)	PP 031 447 -T
Monitoring Temperature sensors	
Temperature Sensor for Okta 250/M Okta 500/M Okta 1000/M Okta 2000/M Okta 4000/M Okta 6000/M Okta 500 G Okta 1500 G Okta 4000 G, G 3/8	PP 041 457 -T
Mounting Adjusting elements for fastening the feet	
Setting elements for foot mounting for Okta 250/M Okta 300/M Okta 500/M Okta 600/M Okta 800/M Okta 1000/M, 35 mm	PP 041 454 -T
Mounting Claw sets DN ISO-K	
Claw set for Okta 1000/M Okta 2000/M, DN ISO-K, Stainless steel	PP 043 879 -T
Claw Set for Okta 1000/M Okta 2000/M, DN ISO-K, Zinc-Plated Steel	PP 043 881 -T
Mounting Screw sets	
Screw Set for Okta 1000/M Okta 2000/M, DN ISO-F, Zinc-Plated Steel	PP 043 873 -T
Screw Set for Okta 1000/M Okta 2000/M, DN ISO-F, Stainless Steel	PP 043 878 -T
Screw Set for Okta 1000/M/ATEX, DN PN16, Zinc-Plated Steel	PP 043 882 -T

Accessories	
Mounting Sealing kits	
Centering ring with outer ring for vacuum flange for Okta 300/M Okta 500/M Okta 500 G Okta 600/M Okta 800/M Okta 1000/M Okta 2000/M, DN ISO-F	PF 303 110 -T
Centering ring with outer ring for vacuum flange and fore-vacuum flange for Okta 1000/M Okta 1500 G Okta 2000/M Okta 4000/M Okta 6000/M, DN ISO-F	PF 303 116 -T
Seal Kit (FKM) for Okta 1000/M/ATEX Okta 2000/M/ATEX, DN PN16	PP 043 886 -T
Protection Flushing devices	
Sprayer DN PN16/PN10 for Okta 1000/M Okta 2000/M Okta 1500 G	PP 031 243 -T
Sprayer DN ISO-F for Okta 1000/M Okta 2000/M Okta 1500 G	PP 031 252 -T
Protection Sealing gas kits	
Sealing gas kit (plastic tube) for Okta 250/M Okta 300/M Okta 500/M Okta 600/M Okta 800/M Okta 1000/M Okta 2000/M Okta 4000/M Okta 6000/M Okta 8000 Okta 1500 G Okta 4000 G Okta 8000 G, G 3/8 (4x)	PP 027 401 -T
Protection Splinter shields	
Splinter shield for Okta 1000/M Okta 2000/M Okta 1500 G	PP 031 114 -X
Splinter shield for Okta 1000/M Okta 2000/M Okta 1500 G	PP 031 115 -X
Consumables	
P3, mineral oil, 1 l	PK 001 106 -T
P3, mineral oil, 5 l	PK 001 107 -T

VACUUM SOLUTIONS FROM A SINGLE SOURCE

Pfeiffer Vacuum stands for innovative and custom vacuum solutions worldwide, technological perfection, competent advice and reliable service.

COMPLETE RANGE OF PRODUCTS

From a single component to complex systems:

We are the only supplier of vacuum technology that provides a complete product portfolio.

COMPETENCE IN THEORY AND PRACTICE

Benefit from our know-how and our portfolio of training opportunities!

We support you with your plant layout and provide first-class on-site service worldwide.

Are you looking for a
perfect vacuum solution?
Please contact us:

Pfeiffer Vacuum GmbH
Headquarters · Germany
T +49 6441 802-0
info@pfeiffer-vacuum.de

www.pfeiffer-vacuum.com

All data subject to change without prior notice.

PFEIFFER  **VACUUM**